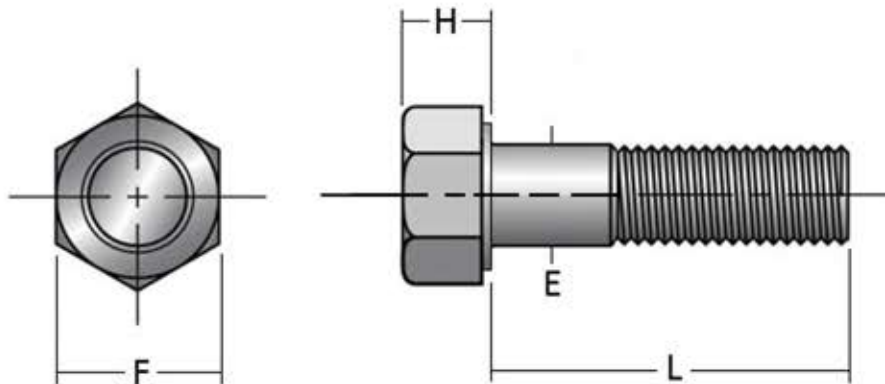




Hex Cap Screws, Grade 2, Plain

The information below lists the required dimensional, chemical and physical characteristics of the products in this purchase order. If the order received does not meet these requirements, it may result in a supplier corrective action request, which could jeopardize your status as an approved vendor. Unless otherwise specified, all referenced consensus standards must be adhered to in their entirety.



Size, in.	E		F		H	
	Full Size Body Diameter		Width Across Flats		Head Height	
	Max.	Min.	Max.	Min.	Max.	Min.
1/4	0.2500	0.2450	0.438	0.428	0.163	0.150
5/16	0.3125	0.3065	0.500	0.489	0.211	0.195
3/8	0.3750	0.3690	0.562	0.551	0.243	0.226
7/16	0.4375	0.4305	0.625	0.612	0.291	0.272
1/2	0.5000	0.4930	0.750	0.736	0.323	0.302
9/16	0.5625	0.5545	0.812	0.798	0.371	0.348
5/8	0.6250	0.6170	0.938	0.922	0.403	0.378
3/4	0.7500	0.7410	1.125	1.100	0.483	0.455
7/8	0.8750	0.8660	1.312	1.285	0.563	0.531
1	1.0000	0.9900	1.500	1.469	0.627	0.591
1 1/8	1.1250	1.1140	1.688	1.631	0.718	0.658
1 1/4	1.2500	1.2390	1.875	1.812	0.813	0.749
1 1/2	1.5000	1.4880	2.250	2.175	0.974	0.902

Length and Thread Length per ASME B18.2.1

Specification Requirements:

- Dimensions: ASME B18.2.1
- Material & Mechanical Properties: Grade 2 per SAE J429
- Thread Requirements: ASME B1.1, UNC & UNF, Class 2A
Thread acceptance per 6.5.1.4 of ASTM F788
- Head Marking: Manufacturer ID
- Finish: Light Protective Oil